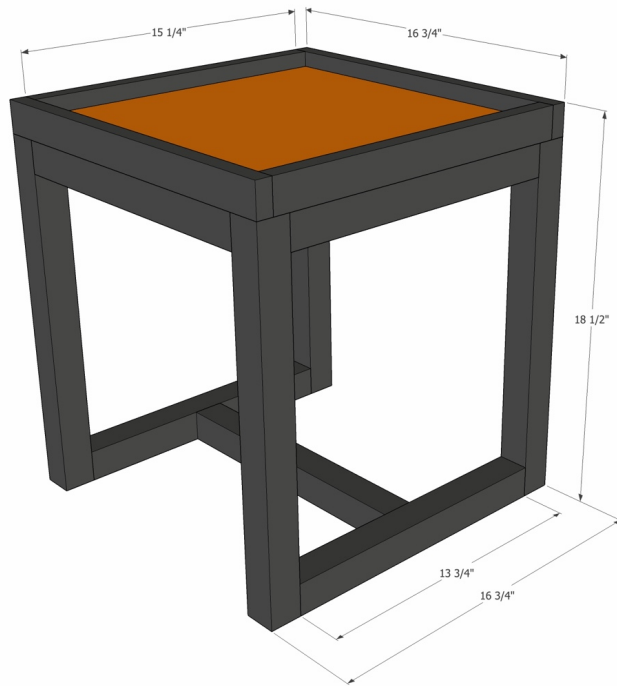


DIY Torched Epoxy Side Table



Dimensions: 16 3/4"W x 16 3/4"D x 18 1/2"H

theAwesomeOrange.com

DIY Torched Epoxy Side Table

The Awesome Orange, LLC and its affiliates are not responsible from any damages that may come to persons or properties involved during the creation or use of the project or plans. The use of these plans and construction of this project is acknowledgement that you as a fabricator assume all liability for proper construction and safe use of the project through all stages.

Shopping List:

- 2 – 2 x 2 x 96" Pine Boards
- 1 – 1 x 2 x 96" Pine Board
- 1 – Scrap 3/4" Plywood 15 1/4" x 15 1/4"

Cut List:

- 7 – Base Pieces: 1 1/2" x 1 1/2" x 13 3/4"
- 4 – Legs: 1 1/2" x 1 1/2" x 17"
- 2 – Top Trim: 3/4" x 1 1/2" x 15 1/4"
- 2 – Top Trim: 3/4" x 1 1/2" x 16 3/4"
- 1 – Top: 3/4" x 15 1/4" x 15 1/4"

Tool List:

- Miter Saw
- Drill
- 18ga Brad Nailer* w/ 1 1/4" nails
- Pocket Hole Jig w/ 2 1/2" PH screws
- Table Saw**

*optional, could use hammer and nails

**optional, have store cut

Tips/Notes: I recommend assembling top first and then make any adjustments to base measurements as needed so that they are as flush as possible.

THE awesome orange
Build Loud, Build Wild